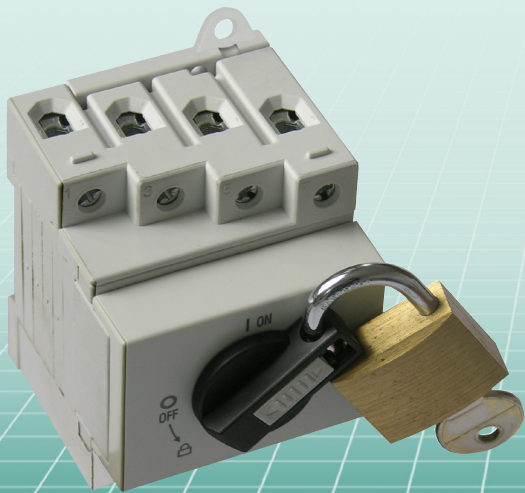


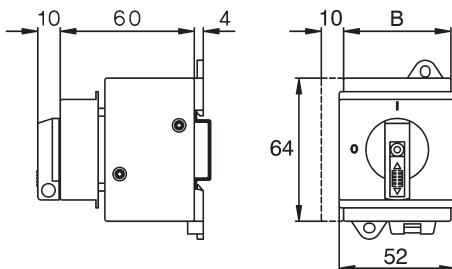
Space saving handle, lockable for Main Switches and DC-Switch Disconnectors for installation boards Typesuffix: +SV1N

- 10mm height only, for smallest installation boards
- for all 3- und 4-pole Main Switches LTS20 SMA.. up to LTS80 SMA..
- for all DC-Switch Disconnectors LS16 SMA.. up to LS32 SMA..



Dimensions:

LTS20 SMA.. up to LTS80 SMA.. +SV1N



Typ	ON-OFF Escutch plate or pedlock device	3-polig	4-polig
		B	B
LTS20 – 40	SV1, SV164	48	48
LTS63, 80 Typ	SV1, SV164	48	62,5

Technical data are subject to change without notice

Benedict GmbH
Liebigasse 7, A-1220 Vienna

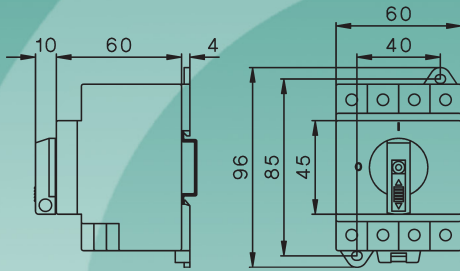
Tel.: +43 (1) 251 51-0
Fax: +43 (1) 251 51-89

e-mail: sales@benedict.at
www.benedict.at

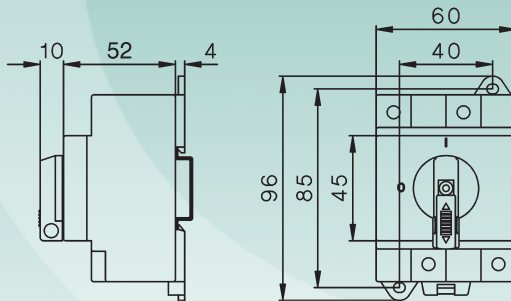
 **BENEDICT**
GMBH

Dimensions:

LS16 SMA.. up to LS32 SMA.. +SV1N



for all 2-pole DC-Switch Disconnectors LS16 SMA.. up to LS32 SMA..



for all 8-pole DC-Switch Disconnectors LS16 SMA.. up to LS32 SMA..

